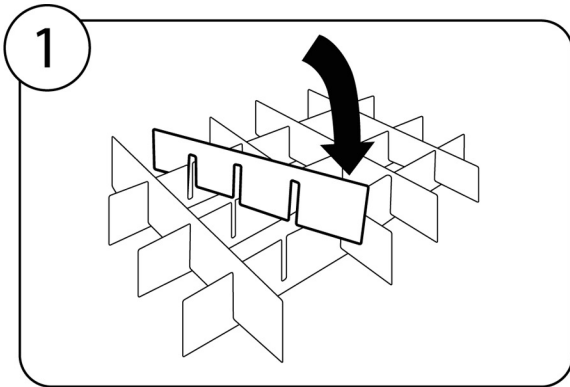




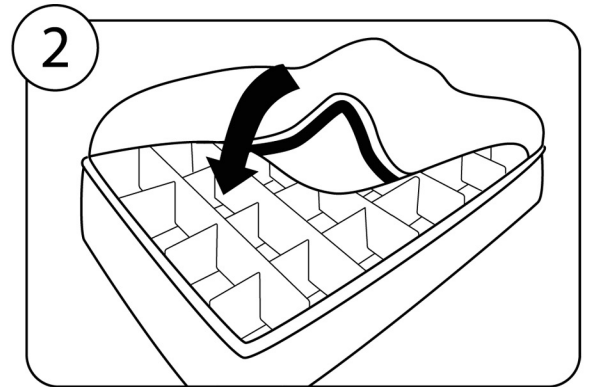
ASSEMBLY INSTRUCTIONS

TreeKeeper 3 Tray Ornament Keeper
 Item No. TK-10127

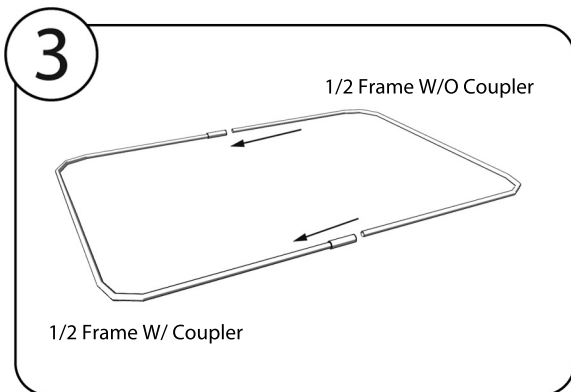
Kit Includes:
 3 Trays with fabric Liner
 3 Cardboard Divider Sets
 1 Bag Support Frame
 1 Storage Bag



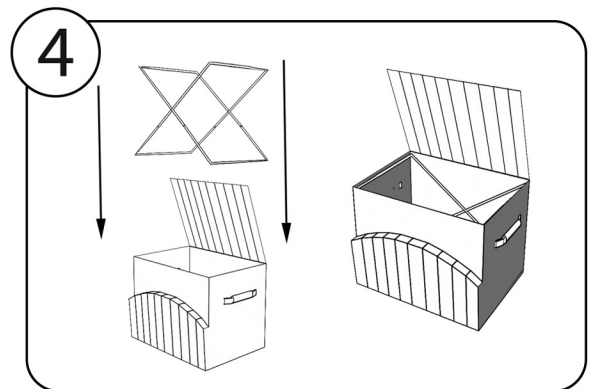
1. Assemble the cardboard inner grid as shown.



2. Remove one corner of the tray liner from the velcro and slide the cardboard inserts underneath. Reattached the liner to the velcro around the edge. Press the liner into the divider squares evenly across the tray.



3. Assemble each side of the frame by sliding the halves together and inserting into the coupler. Repeat to make the second identical frame.



4. Once the two frames are assembled, insert them as shown (either together or separately) and secure them with the velcro straps located inside the bag along the top and bottom side edges.

*Need help with this product?
 Visit our support center at
www.TreeKeeperbags.com*